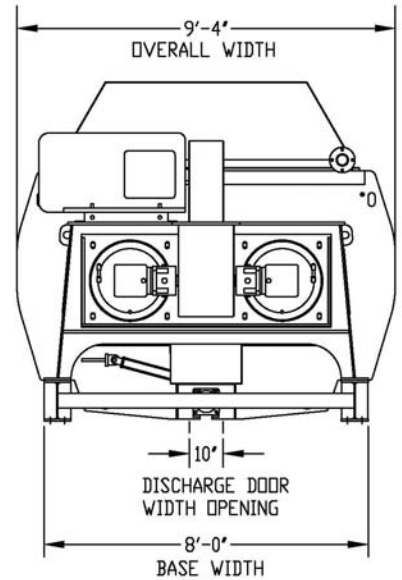
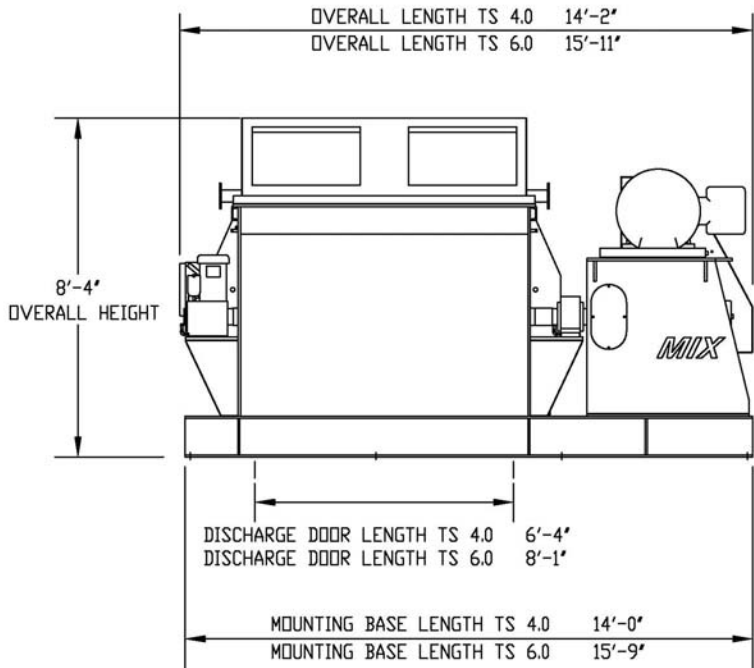


MSI TWIN SHAFT MIXER - SPECIFICATIONS



MODEL	TS 4.0	TS 6.0
Maximum dry filling Input capacity	16,000 LBS. or 164 cu. ft. <i>Whichever comes first</i>	24,000 LBS. or 245 cu. ft. <i>Whichever comes first</i>
Mixer Motor	200 HP	250 HP
Discharge Door Hydraulic Power Pack Motor	5 HP	5 HP
Mixer Shaft R.P.M.	24	24
Total # of mixing paddles	14	18
Total # of wall scraper blades	4	4
Mixer weight (Empty) LBS.	28,500	32,500



mixersystems.com



© Mixer Systems, Inc. 2010
Twin Shaft Spec Sheet "10 LH

MSI TWIN SHAFT MIXER - DESIGNED & BUILT IN THE U.S.A. WITH PARTS AND SERVICE AVAILABLE WHEN YOU NEED THEM.



Shafts:

Two (2) 6" square, counter rotating steel mixing shafts; Each shaft is supported by two (2) outboard pillow block bearings and shafts are equipped with air purge seals to prevent mixing chamber leakage.

Discharge Door:

Inverted, roll gate pivots from the bottom and is supported by four (4), end mounted pillow block bearings, two (2) on each end, and is powered by two (2) hydraulic cylinders. Door runs the entire length of the mixer and has a double, rubber seal, and limit switches. Hydraulic power pack includes a 230/460 volts, 60 hertz, 3 phase motor, 5 GPM pump, double solenoid valve, pressure relief valve, 5 gallon reservoir, 10 micron filter, sight glass with thermometer, emergency hand pump with manual shut off valve for manual opening of the discharge door.

Paint:

High grade machinery enamel. Consult factory for special paint types, colors.

Warranty:

Five (5) year, limited warranty on the gear reducer.

Standard Equipment

Mixing Tank:

Mixing tank is 5/16" thick steel, all welded construction, vertical end walls are 3/4" thick.

Liners:

Drum liners are 3/4" thick, 550 brinell hardness, cast ni-hard. Wall liners are 3/8" thick, 225 brinell hardness.

Mixing Elements:

Cast iron arms, mixing blades and wall scrapers are cast ni-hard, 550 brinell hardness.

Cover:

Four (4) access doors are hinged at the top and sealed with foam rubber gaskets. All access doors are equipped with cover down safety switches which stop the power to the mixer drive if opened while mixer is running. There are two (2) water distribution manifolds inside the cover for even water distribution.

Drive:

A single electric motor, connected to a set of pulley's, drive the solid steel shaft that connects the right angle gear reducers to two (2) planetary drives delivering even power to each of the mixer shafts.

Electric Motor:

One (1) totally enclosed, fan cooled type (TEFC) motor. 460 volt, 3 phase, 60 hertz. Connected to gear box with V-belt drive.



Mixer Systems 86,000 sq. ft. manufacturing facility located in Pewaukee, WI U.S.A.



190 Simmons Avenue Pewaukee, WI 53072-0010
1-800-756-4937 (262) 691-3100 Fax (262) 691-3184
E-mail: concretesales@mixersystems.com
www.mixersystems.com

